

Head Office:
F/S14, Bayint Naung Road,
Shwe Sabi Yeik Mon,
Kamayut Township,
Yangon, Myanmar

Factory:
Blk-94 (A+B), 42nd Quarter,
Kha Yae Pin Street,
Industrial Estate,
Shwe Pyi Tha Township,
Yangon, Myanmar

N200 / 190H52

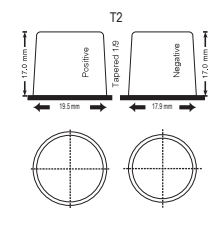


Physical Specification

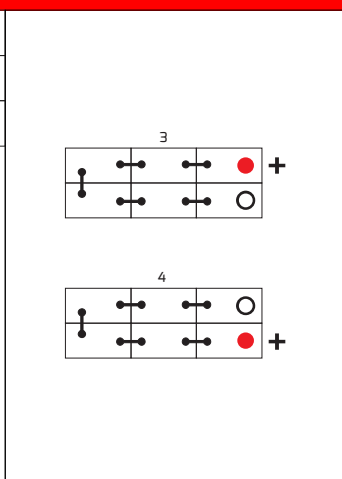
Nominal Voltage	12 V	
Nominal Capacity (20 Hour Rate)	200 Ah	
Dimension	Length	512 mm
	Width	272 mm
	Container Height	215 mm
	Total Height (With Terminal)	265 mm
Weight (approximate)	32.0 Kg	
Acid	1.28 g/cm ³ (25°C)	
Terminal Design	T2	
Cell Layout	3/4	
Hold Down	Not Available	
Case	PP - Natural	
Cover	PP - Red	
Handle	FIX Handle	

Terminal Design

Type	ØD	
	Positive	Negative
T2	19.5 ⁰ _{-0.3}	17.9 ⁰ _{-0.3}

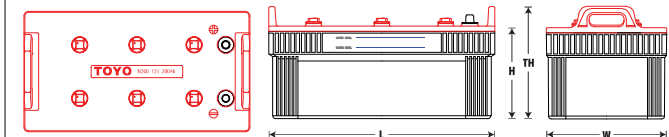


Cell Layout



Dimensions (mm)

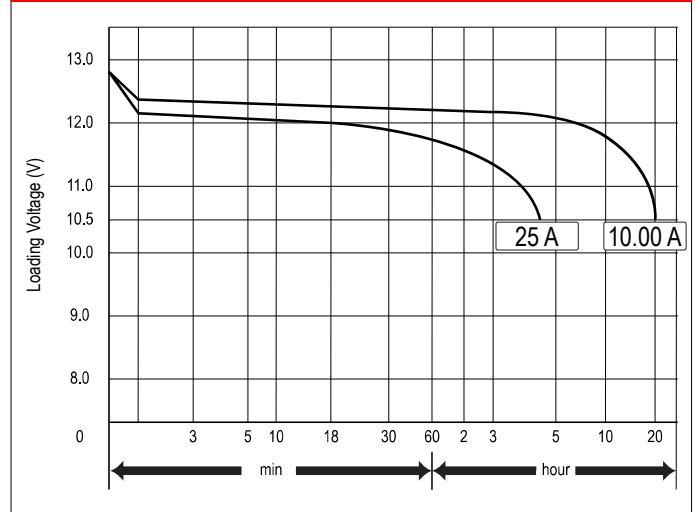
Length	Width	Height	T. Height
512	272	215	265



Electrical Specification

Rated Capacity (20 Hour Rate @ 10.00 A)	200 Ah
Reserve Capacity	370 Min.
Cold Cranking Performance @ 0°F (-18°C)	765 A

Discharged Characteristics @ 25°C (70°F)



Discharged Characteristics @ -18°C (0°F)

